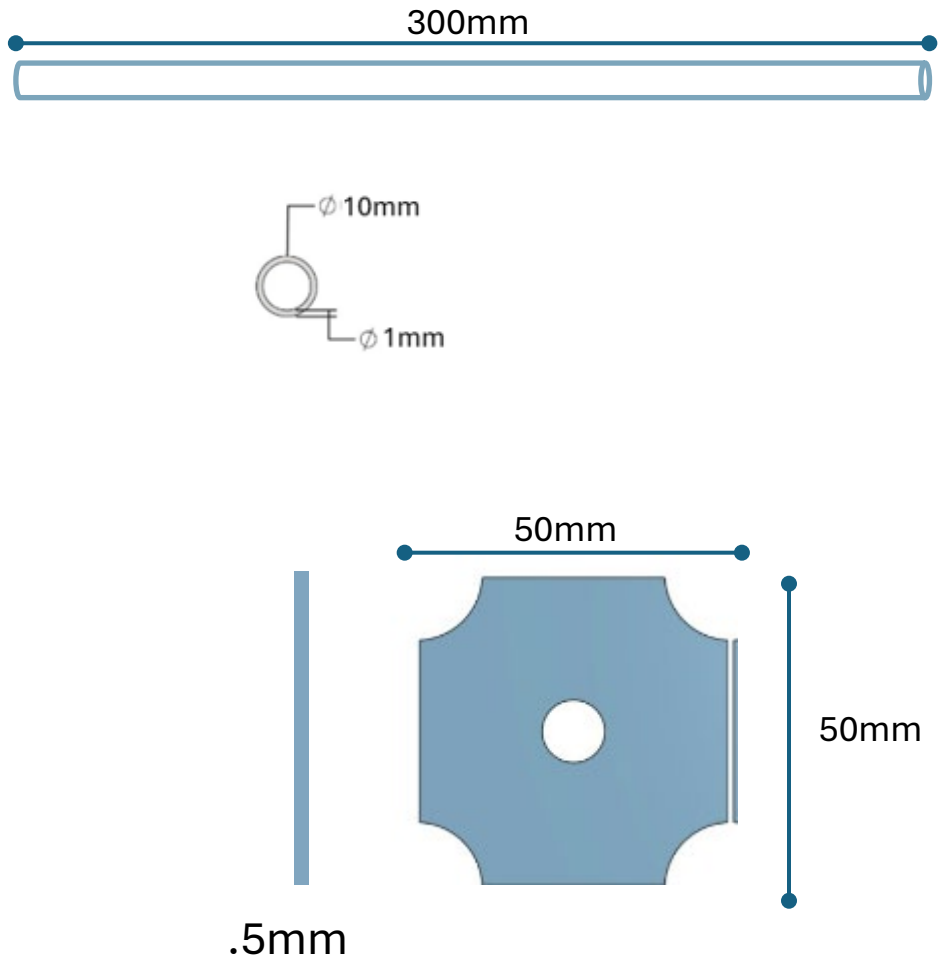


Finned heat exchanger pipes
Material - **Aluminum 3003/H14**
300 mm long with 29 L foot fins



Preliminary for feedback
Detailed mechanical drawing to be provided

